



**DEZHOU XUDA ENVIRO-TECH CO., LTD**  
ADD: MIDDLE DEXIN ROAD, TIANQU INDUSTRIAL PARK, DECHENG DISTRICT,  
DEZHOU, SHANDONG P.R. CHINA 253000

Tel: +86 534-2369766

[Http://www.xudaenviro-tech.com](http://www.xudaenviro-tech.com)

Fax: + 86 534-2392966

EMAIL: [sales@xudaenviro-tech.com](mailto:sales@xudaenviro-tech.com)



**Makes Wastewater to be Clean and Useful !**



## DEZHOU XUDA ENVIRO-TECH CO., LTD

ADD: MIDDLE DEXIN ROAD, TIANQU INDUSTRIAL PARK, DECHENG DISTRICT,  
DEZHOU, SHANDONG P.R. CHINA 253000

Tel: +86 534-2369766

Fax: + 86 534-2392966

[Http://www.xudaenviro-tech.com](http://www.xudaenviro-tech.com)

EMAIL: [sales@xudaenviro-tech.com](mailto:sales@xudaenviro-tech.com)

## PRODUCT AND SERVICE

### *PRESS FILTER*

- ◆ [Press Filter](#)
- ◆ [Filter Plate](#)
- ◆ [Filter Cloth](#)

### *SLURRY PUMP*

- ◆ [Centrifugal Slurry Pump](#)
- ◆ [Screw Pump](#)
- ◆ [Pneumatic Membrane Pump](#)

### *POLYMER & DOSING SYSTEM*

- ◆ [PAC \(Polyaluminium Chloride\)](#)
- ◆ [PAM \(Polyacrylamide\)](#)

### *AERATION EQUIPMENTS*

- ◆ [Bubble Diffuser](#)
- ◆ [Three Lobes Roots Blower](#)





XUDA ENVIRO-TECH  
www.xudaenviro-tech.com

# Press Filter



## INTRODUCTION

Plate type filter press is intermittent solid-liquid separation equipment characterized by wide range of application, good separating effect, simple structure, convenient and safety operation.

Hydraulic cylinder provide pressure to filter plates and forms dozens or even hundreds of closed chambers. Suspension is feed into these chambers by slurry pump, solid is stopped by filter cloth, but filtrate will pass through due to the pump pressure and discharge outside of the machine.

## APPLICATION

Plate type filter press can reach better filtration performance than belt type filter press. It is widely used in sewage treatment including textile, printing and dyeing, pharmaceutical, papermaking, leather and monosodium glutamate industries.

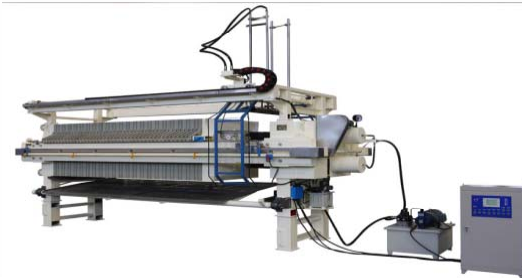
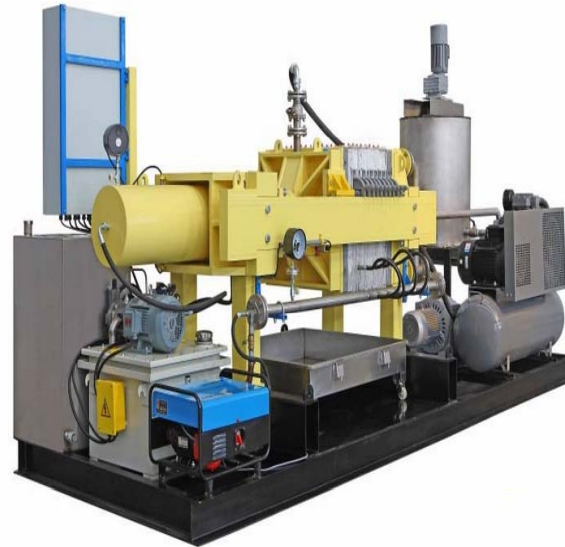


PLATE SIZE	PLATE NO	FILTRATION AREA (M <sup>2</sup> )	CHAMBER VOL (M <sup>3</sup> )	FEEDING PRESSURE (BAR)	PRESS TYPE	PLATE OPEN
630x630mm	9~39	6~24	0.09~0.36	4~6	Hydraulic	Manual
800x800mm	19~59	20~60	0.30~0.90	4~10	Hydraulic	Manual or Auto
1000x1000mm	37~73	60~120	0.92~2.38	4~12	Hydraulic	Manual or Auto
1250x1250mm	29~93	80~250	1.20~4.88	4~16	Hydraulic	Manual or Auto
1500x1500mm	57~129	220~500	3.36~10.05	4~16	Hydraulic	Auto
1500x2000mm	67~133	350~700	7.15~14.08	4~16	Hydraulic	Auto
2000x2000mm	69~111	500~800	8.75~16.00	4~16	Hydraulic	Auto





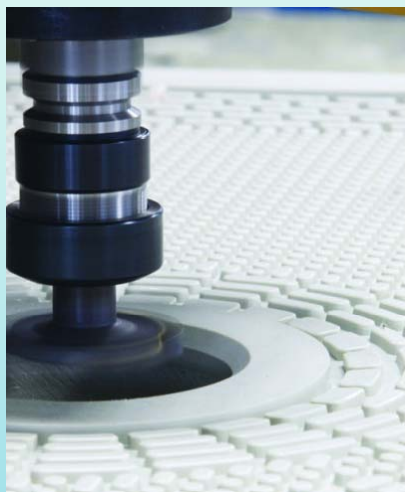
XUDA ENVIRO-TECH  
www.xudaenviro-tech.com

# Filter Plate



## INTRODUCTION

PP Filter Plates are the key parts of filter press equipment, they are installed on filter press frame one by one and forms many closed chambers. Chamber volume is decided by plate size and plate No and chamber depth. It has the advantage of flexibility, toughness and rigidity. The flatness of the filter plate is lower than 25 $\mu$ m after the process of CNC machining, which makes sure excellent sealing.



## FEATURES

Material: PP  
Type: Chamber type/Membrane Type/CGR Type  
Max Feeding pressure: 16 bar  
Max squeezing pressure: 16 bar  
Max Temp resistance: 80 °C  
Cake thickness:  
25mm/30mm/32mm/35mm/40mm  
Plate thickness: 50mm~95mm  
Feeding hole: center feed/corner feed/top center feed

MODEL	PLATE THICKNESS (MM)	CAKE THICKNESS	FILTRATION AREA	FILTRATION VOL	TYPE
		(MM)	(M <sup>2</sup> )	(M <sup>3</sup> )	
470×470	50	25	0.28	0.035	Chamber/CGR
500×500	62	30	0.32	0.048	Chamber
630×630	60	30	0.6	0.009	Chamber/Membrane/CGR
800×800	65	30	1	0.015	Chamber/Membrane/CGR
1000×1000	72	38	1.62	0.03	Chamber/Membrane/CGR
1200×1200	75	40	2.33	0.046	Chamber/Membrane/CGR
1250×1250	78	40	2.6	0.052	Chamber/Membrane
1500×1500	85	40	3.8	0.076	Chamber/Membrane
1600×1600	85	40	4.26	0.085	Chamber/Membrane
1500×2000	90	40	5.06	0.1	Chamber/Membrane



# Filter Cloth

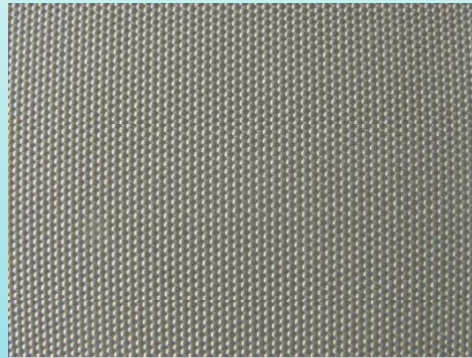


## INTRODUCTION

Filter cloth is filter medium sewage treatment system, material can be polyester, polypropylene, polyamide (nylon) and nonwoven. Particle size, feeding pressure, slurry temperature, PH value and viscosity shall be considered to choose the right cloth and make sure the best filtration performance.



Polyamide Filter Cloth



Polypropylene Filter Cloth



Polyester Filter Cloth



Nonwoven Filter Cloth



Filter Cloth in Workshop



Raw Paper



Filter Bag



Filter Press Cloth





XUDA ENVIRO-TECH  
www.xudaenviro-tech.com

# Centrifugal Slurry Pump



## INTRODUCTION

ZJ series slurry pump suitable for handling abrasive and corrosive slurry with maximum concentrations of wt.45% (ash) and wt.60% (ore). They are widely used in power, metallurgy, mining, wastewater and construction materials.

### Meaning of Serial No.

For example: 80 ZJ I A 52

80: outlet diameter (mm)

ZJ: slurry pump

I: single stage pump

A: No. of impeller's vanes

A for 5pcs,

B for 4pcs,

C for 3pcs,

D for 2pcs,

E for 1pc,

F for 6pcs,

G for 7pcs)

52: Diameter of impeller (cm)



MODEL	FLOW (m <sup>3</sup> /h)	HEAD (m)	SPEED (r/min)	EFFICIENCY (%)	(NPSH) <sub>r</sub> (m)
40ZJ-I-A19	8-50	9-57.1	1400-2900	50	1.3-4.5
80ZJ-I-A52	40-242	15-109	980-1480	66	2.3-4
100ZJ-I-A50	64-360	24-100	980-1480	68	2.3-5.1
200ZJ-I-A85	300-900	36-130	730-980	75	2.5-4.3
300ZJ-I-A95	700-1800	30-70	490-980	78	1.7-7.0
350ZJ-I-F100	860-1300	37-62	490-590	60	4.4-5.8



XUDA ENVIRO-TECH  
www.xudaenviro-tech.com

# Centrifugal Slurry Pump



## FEATURES:

### Structure Features Of Pump Head:

Apply of double-cases pumps or single-case pumps according to requirement.  
Double-cases pumps centrally split vertical direction. Discharge port can be positioned at 8 different position at an interval of 45°

### Shaft Seal:

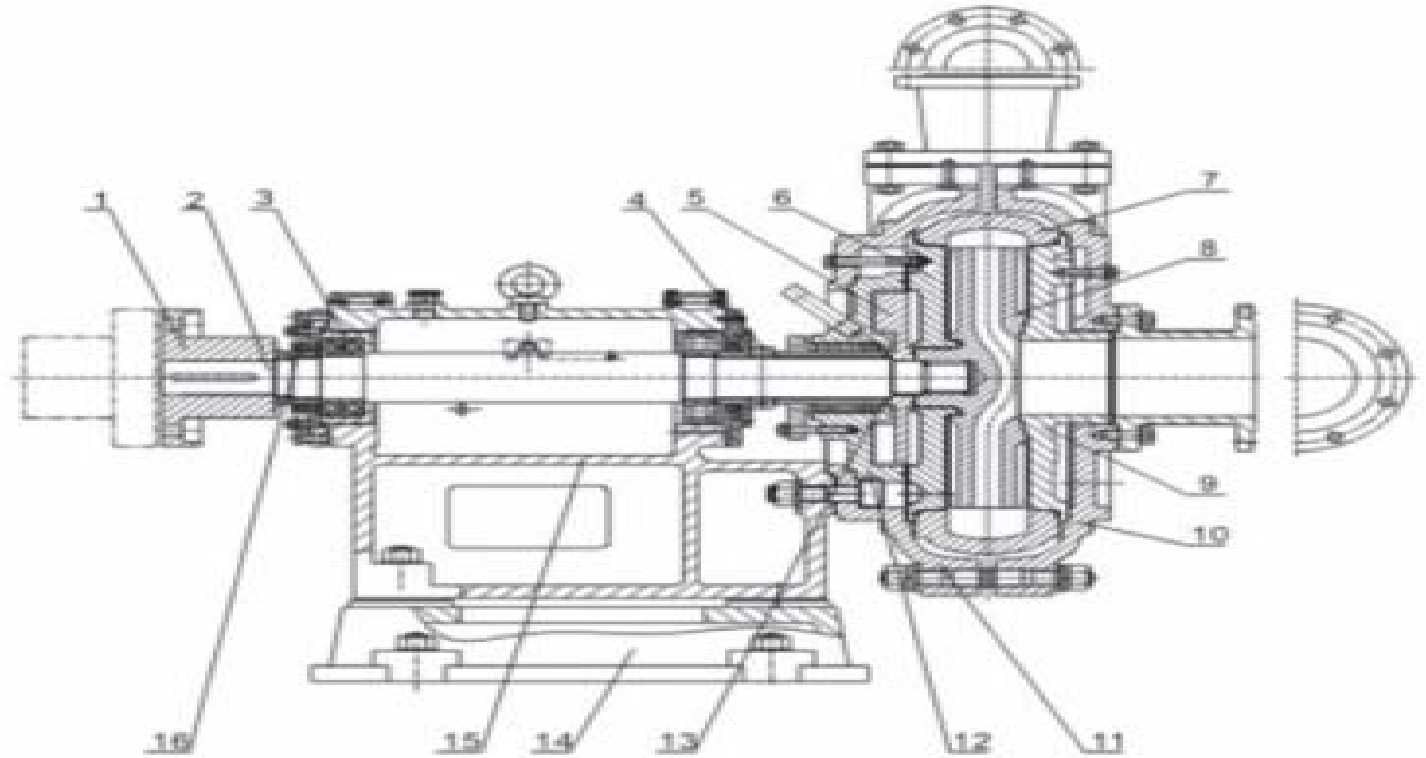
Expeller seal and packing seal  
Packing Seal  
Mechanical Seal

### Driving Patterns:

Direct driven(DC)  
Direct driven via hydraulic coupling (HC)  
Belt driven(CR CL ZV CV )

### Material:

High chrome  
Rubber  
Ceramic



1.Coupling	2.Shaft	3.Bearing Housing	4.DisassembLY Ring
5. Accessory Impeller	6. Rear Guard Plate	7. Construction Drawing	8. Impeller
9. Front Guard Plate	10. Front Pump Housing	11. Rear Pump Housing	12. Gland Packing
13. Seal Cage	14. Base	15. Bracket	16. Adjusting Screw



XUDA ENVIRO-TECH  
www.xudaenviro-tech.com

# Screw Pump

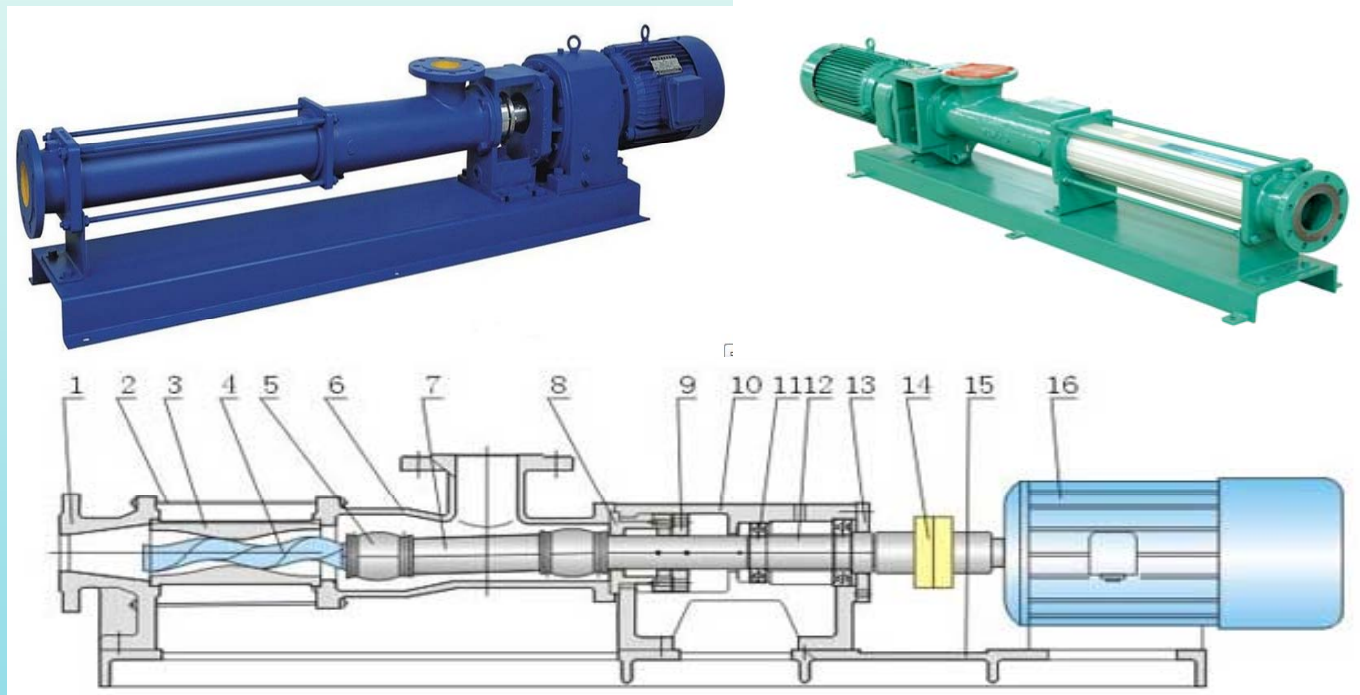


## INTRODUCTION

A single screw positive displacement pump has small pressure fluctuation and strong self-priming ability. It can pump high viscosity fluid and medium with hard suspended solid/fiber as well, like slurry, sludge, slush, etc. Pump has metal lined with rubber stator, which is made of various elastic material, such as NBR rubber, Silicon rubber.

## BASIC DESCRIPTION

Driver: Electric motor  
 Power Specs: 380/415V 3phase;  
 220/240V 1phase;50hz/60hz  
 Max Temp: 120° C(248° F)  
 Type of connection: Flange  
 Installation position: Horizontal  
 Casing parts material: Cast iron, Stainless Steel  
 Shaft seal type: Mechanical seal, packing seal  
 Free passage: 6mm  
 Max viscosity: 1X10<sup>6</sup>C.S.T  
 Max drive rating: 90KW(120HP)  
 Max caliber: 250mm(10inch)  
 Max discharge-side pressure: 1.2MPa(12bar)  
 Flow rate range: 0.8-150m<sup>3</sup>/h(3.5-660US.GPM)



1	2	3	4	5	6	7	8
Outlet	Pull bar	Stator	Screw shaft	Pin joint	Inlet	Connecting shaft	Packing seat
9	10	11	12	13	14	15	16
Packing gland	Bearing seat	Bearing	Pump drive shaft	Bearing cover	Coupling	Base plate	Motor





XUDA ENVIRO-TECH  
www.xudaenviro-tech.com

# Screw Pump



MODEL	CAPACITY	PRESSURE	SPEED	MOTOR POWER	INLET	OUTLET	MAX GRAIN DIAMETER	MAX FIBER LENGTH	(NPSH) <sub>r</sub>
	(M <sup>3</sup> /H)	(MPA)	(R/MIN)	(KW)	(MM)	(MM)	(MM)	(MM)	(m)
G25-1	2	0.6	960	1.5	40	32	2	30	
G25-2		1.2		2.2					
G30-1	5	0.6	960	2.2	50	40	2.5	35	
G30-2		1.2		3					
G35-1	8	0.6	960	3	65	50	3	40	4
G35-2		1.2		4					
G40-1	12	0.6	960	4	80	65	3.8	45	
G40-2		1.2		5.5					
G50-1	20	0.6	720	5.5	100	80	5	50	4.5
G50-2		1.2		7.5					
G60-1	30	0.6	720	11	125	100	6	60	
G60-2		1.2		15					
G70-1	40	0.6	720	11	150	125	8	70	
G70-2		1.2		18.5					
G85-1	65	0.6	630	15	150	150	10	80	5
G85-2		1.2		30					
G105-1	100	0.6	500	30	200	200	15	110	
G105-2		1.2		55					
G135-1	150	0.6	400	45	250	250	20	150	
G135-2		1.2		90					



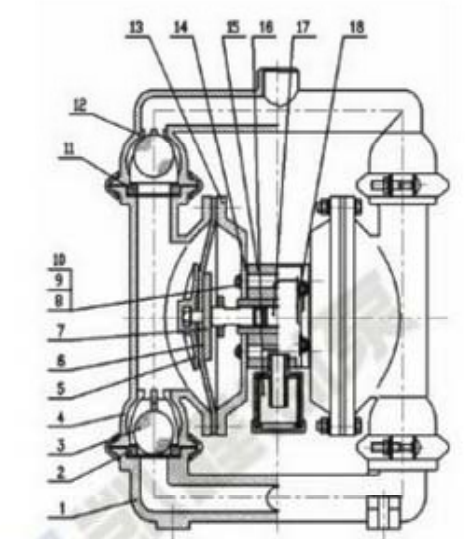
XUDA ENVIRO-TECH  
www.xudaenviro-tech.com

# Air Operated Double Diaphragm Pump



## INTRODUCTION

Air Operated Pneumatic Membrane Pump is the new kind of transportation machine, adopting compress air, smoke and industry exhaust gas as power source. It has two diaphragms, the compressed air come to the pump body to drive the pump in the constant action of sucking and releasing, by this principle, it can pump the liquids easily.



1	2	3
Bottom	Tee	Ball
4	5	6
Stand column	Outside platen	Diaphragm
7	8	9
Endo platen	Nut	Gasket
10	11	12
Stud	O-ring	Top
13	14	15
Clapboard	Block Gasket	Center pump body
16	17	18
Muffler	Shaft	Distributive valve

MODEL	FLOW (M <sup>3</sup> /H)	HEAD (M)	SUCTION STROKE (M)	MAX PARTICLE DIA (MM)	MAX AIR PRESSURE (KG/CM <sup>2</sup> )	MAX AIR CONSUMPTION (M <sup>3</sup> /MIN)
QBK-15	0-3.42	0-84	7.6	2.5	8.4	0.56
QBK-25	0-9.42	0-84	8	4	8.4	1.12
QBK-40	0-21.48	0-84	8	5	8.4	2.24
QBK-50	0-35.22	0-84	8	6	8.4	2.8



XUDA ENVIRO-TECH  
www.xudaenviro-tech.com

# Polymer



## APPLICATION

Industries of oil extraction, sugar manufacturing, coal washing, ore washing, paper making, wet metallurgy, food processing, building material.  
water treatment of all kinds of industrial sewage, domestic sewage and the dehydration of sludge.



PFS



PAC



PAM



PAS



FeCl<sub>3</sub>

## PACKAGE

two-layer PE bag , or in two-layer bag with PE inside and PP outside ,both 20kg/bag and 25kg/bag are available .





# Bubble Diffuser



## INTRODUCTION

- Multi installation for PVC, HDPE, Steel etc.
- High oxygen transfer efficiency.
- Intermittent operation capability.
- High resistance to corrosion.
- Back flow prevention.
- Quick installation and low maintenance.
- Low pressure loss.
- Water-stirring effect

## APPLICATION

- Biological treatment
- Active Sludge treatment
- Aquaculture treatment
- Fishing farms aeration



**Silicone Disc Diffuser**



**EPDM Disc Diffuser**



**Silicone Tube Diffuser**



**EPDM Tube Diffuser**

MODEL	TUBE DIFFUSER						DISC DIFFUSER		
	BT6305	BT6307	BT6310	BT9005	BT9007	BT9010	BD007	BD009	BD012
SIZE (MM)	63*500	63*750	63*1000	90*500	90*750	90*1000	177.8	228.6	304.8
WORKING AIR FLOW (M <sup>3</sup> /H)	1~6	1~8	1~14	2~10	2~14	2~20	1~4	1~6	1~10
DESIGNED AIR FLOW (M <sup>3</sup> /H)	3	4	7	5	7	10	2	3	5
OTE (%)	>35	>35	>35	>35	>35	>35	>30	>30	>30
SERVICE AREA (M <sup>2</sup> /PIECE)	0.5~1	0.6~1.2	0.8~1.6	0.8~1.6	1.3~2.6	1.8~3.2	0.4~0.8	0.6~0.9	0.7~1.0
BUBBLE SIZE (MM)	0.7~1.9	0.7~1.9	0.7~1.9	0.7~1.9	0.7~1.9	0.7~1.9	0.8~2.1	0.8~2.1	0.8~2.1
PRESSURE LOSS (KPA)	2.2~4.8	2.2~4.8	2.2~4.8	2.2~4.8	2.2~4.8	2.2~4.8	1.5~4.3	1.5~4.3	1.5~4.3
OXYGENATE CAPABILITY (KGO <sub>2</sub> /H)	0.6	0.7	0.9	0.65	0.85	1.4	0.15~0.38	0.18~0.48	0.25~0.55
THEORATIC DYNAMIC	>8.6	>8.6	>8.6	>8.6	>8.6	>8.6	>8.9	>8.9	>8.9



XUDA ENVIRO-TECH  
www.xudaenviro-tech.com

# Three Lobes Roots Blower



## APPLICATION

1. Water treatment plants
2. Effluent treatment plants
3. Cement plants
4. Aquaculture farms
5. Chemical plants
6. Electroplating plants
7. Paper plants
8. Vacuum plants & system
9. Pneumatic conveying system



**Belt Transmission Roots Blower**



**Direct Coupling Roots Blower**

## FEATURES

- 1 Stable air flow and less pressure variation.
- 2 Clean air with no oil moist.
- 3 Simple construction with easy maintenance.
- 4 All bearings are lubricated by oil moist.
- 5 Three lobes design can efficiently reduce noise by approximately 5dB, and controls backflow pressure towards rotor.
- 6 Longer bearing life
- 7 Less vibration transmitted through the lobes results in approximately 20% longer bearing life
- 8 Lower energy consumption.

OUTLET	50mm-350mm
DISCHARGE PRESSURE	9.8-98kpa
RATED POWER	50Hz or 60 Hz
POWER SOURCE	Electric Blower
COOLING TYPE	Air cooling
AIR CAPACITY	0.99-300m <sup>3</sup> /min
MOTOR POWER	0.55-315kw
RATED VOLTAGE	220V,380V,400V,415V
DRIVE TYPE	Direct coupling or belt transmission